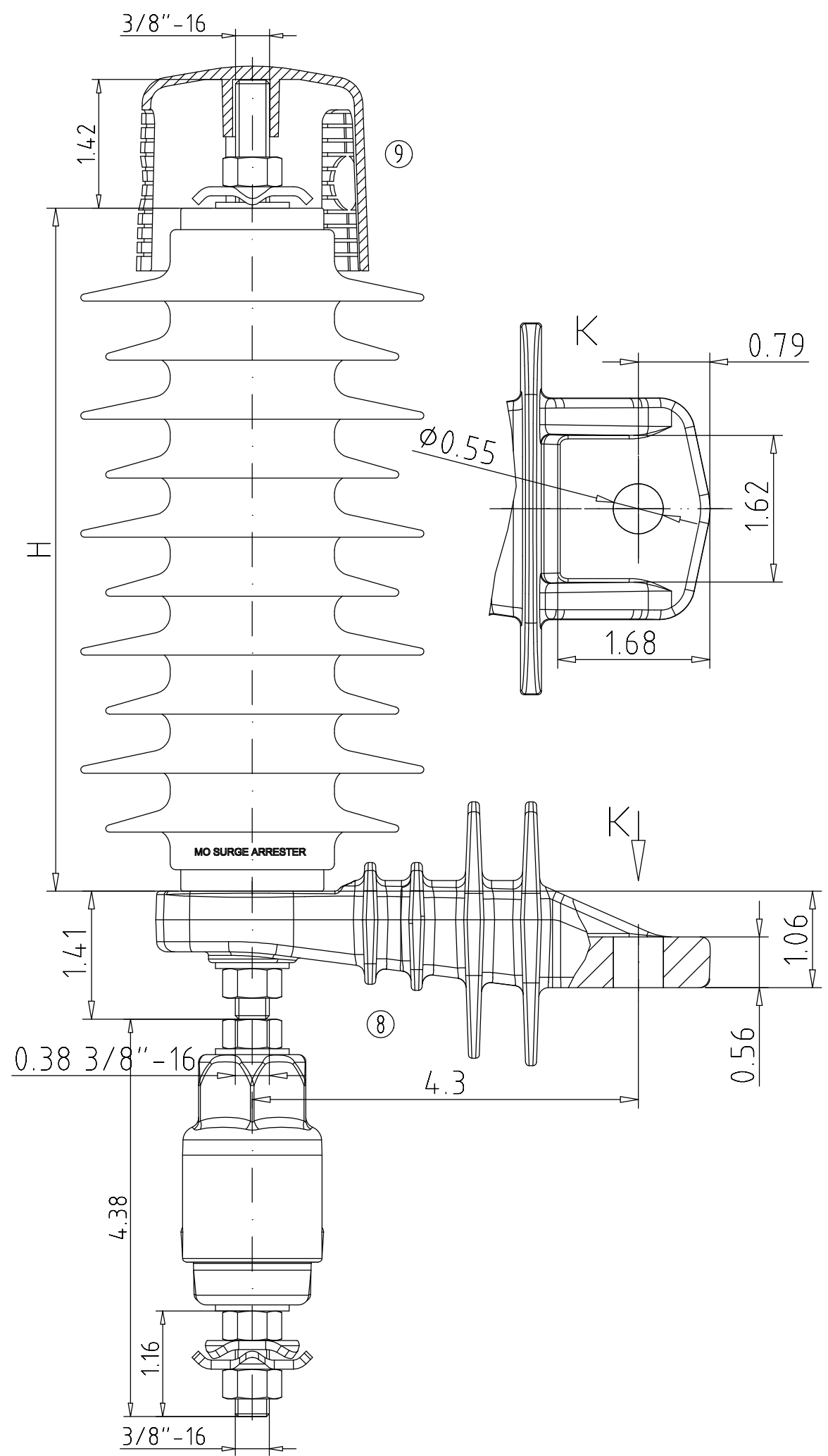


Weitergabe sowie Vervielfältigung, Verbreitung und/oder Bearbeitung dieses Dokumentes, Verwertung und Mitteilung seines Inhaltes sind verboten, soweit nicht ausdrücklich gestattet. Zuwiderhandlungen verpflichten zu Schadensersatz. Alle Rechte für den Fall der Patent-, Gebrauchsmuster- oder Geschmackswareneintragung vorbehalten.

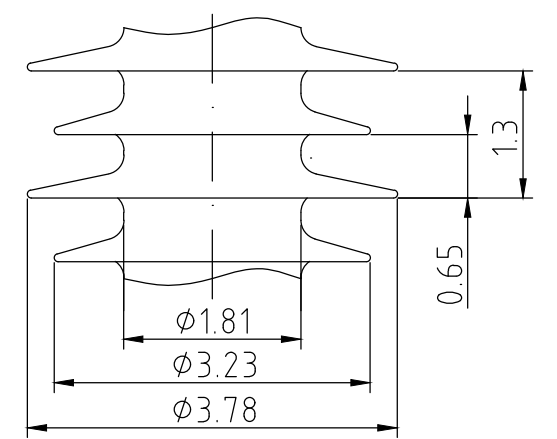
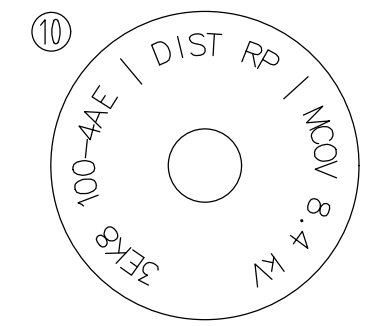
Transmittal, reproduction, dissemination and/or editing of this document as well as utilization of its contents and communication thereof to others without express authorization are prohibited. Offenders will be held liable for payment of damages. All rights created by patent grant or registration of a utility model or design patent are reserved.



①	②	③		④	⑤	⑦
Type	U_r kV	U_c kV	H inch	G lb	n	k inch
3EK8 100-4EA4	10	8.4	8	5	1	21

1. Type
2. Duty cycle
3. Maximum continuous operating voltage (MCOV)
4. Total weight, approx.
5. Number of units
6. Max. permissible pull at insulator top, Values without accessories
7. Min. creepage distance
8. Insulating bracket, creepage distance 11" + pyrotechnic-free disconnecter 3/8" (P31)
9. Bolt 3/8"-16 UNC, 1X washer, 1X 4-corner washer, 1X nut, 1X bird cap
10. Name plate

Remarks
 Frequency: 48 ... 62 Hz
 Altitude above sea level: up to 5900 ft
 Material and color of insulator: directly molded silicone housing, grey



IEEE Distribution Class [HD + RP]

SIEMENS ENERGY, INC

AL: N ECCN: N	Index	Remark	Ä.d.	Date
	b	new version of the outline drawing		18.05.2023
	First issue	Date	Current update	CAD-drawing
	Symphorianus	Handled by		
	Garcia Pena	Checked		
	Section leader			
	Standard			
SIEMENS ENERGY		GT S TSE AR / 27150853.0450		B01-
		drawing number		Sheet no.
		Replacement for		b
		Superseded by		Index

Surge arrester 3EK8